



# IFS-500C

5x 10/100Base-TX Fast Ethernet Switch  
(Compact)



This model is a compact sized, unmanaged industrial grade Fast Ethernet switch with 5 10/100Base-TX ports that provide stable and reliable Ethernet transmission. Housed in rugged DIN rail or wall mountable enclosures, these switches are designed for harsh environments, such as industrial networking, intelligent transportation systems (ITS) and are also suitable for many military and utility market applications where environmental conditions exceed commercial product specifications (See Figure). Standard operating temperature range models (-10 to 60°C) and wide operating temperature range models (-40 to 75°C) fulfill the special needs of industrial automation applications.

## Features

- Wide range input power 12/24/48VDC (9.6~60VDC), or AC24V (18~36VAC)
- IP30 rugged metal housing and Fanless
- Compact size for easy installation
- Wide operating temperature -40 ~ 75°C (-E model )
- Very low power consumption
- Supports flow control
- CE, FCC, and EN50121-4 for railway traffic certification
- Heavy industrial grade EMS, EMI, EN61000-6-2, EN61000-6-4 certified

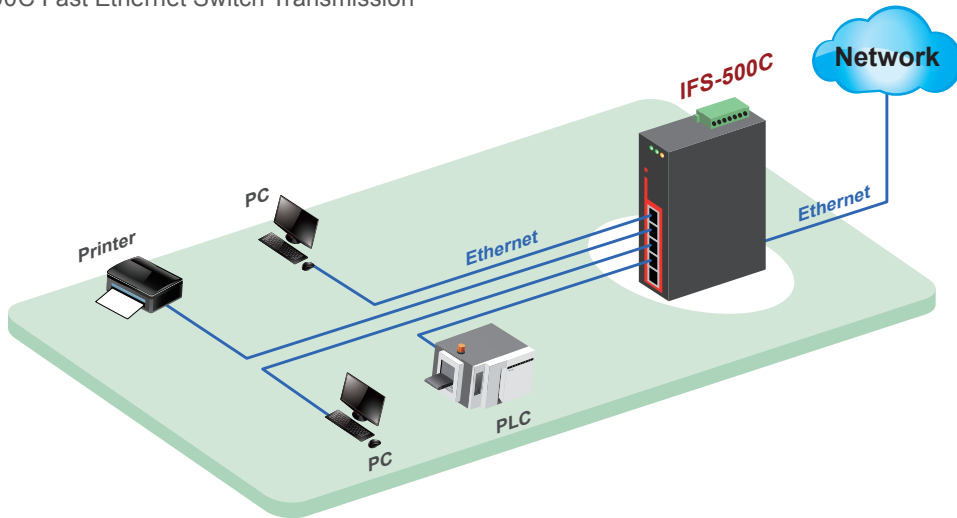
## Specifications

<b>IEEE Standard</b>	IEEE 802.3 10Base-T Ethernet IEEE 802.3u 100Base-TX and 100Base-FX Fast Ethernet IEEE 802.3x Flow Control and Back Pressure	
<b>Switch Architecture</b>	Back-plane (Switching Fabric) : 1.0 Gbps Full wire-speed	
<b>Data Processing</b>	Store and Forward	
<b>Transfer Rate</b>	14,880pps for Ethernet port 148,800pps for Fast Ethernet port	
<b>Flow Control</b>	IEEE 802.3x flow control, back pressure flow control	
<b>MAC Address Table</b>	1K	
<b>Packet Buffer Size</b>	448Kbits	
<b>Network Connector</b>	5x RJ-45 RJ-45 Port: Auto MDI/MDI-X function, 10/100Base-TX auto negotiation speed, Full/Half duplex	
<b>Network Cable</b>	10Base-T: 2-pair UTP/STP Cat. 5 cable EIA/TIA-568 100-ohm (100m) 100Base-TX: 2-pair UTP/STP Cat. 5 cable EIA/TIA-568 100-ohm (100m)	
<b>Protocol</b>	CSMA/CD	
<b>LED</b>	Per unit: Power (Green) RJ-45 Per port: Link/Active (Green), Speed 100 (Yellow)	
<b>Reverse Polarity Protection</b>	For DC input power protection	
<b>Overload Current Protection</b>	Supported	
<b>Power Supply</b>	DC 12/24/48V (9.6~60VDC) or AC 24V (18~36VAC) input power (Removable Terminal Block)	
<b>Power Consumption</b>	<b>Input Voltage</b>	<b>Power Consumption(Watt)</b>
	DC 12V	0.9W
	DC 24V	1.2W
	DC 48V	2W
<b>Removable Terminal Block</b>	Provides for input power (2 Pin)	
<b>Operating Temperature</b>	-10 ~ 60°C (IFS-500C) -40 ~ 75°C (IFS-500C-E)	
<b>Operating Humidity</b>	5% to 95% (Non-condensing)	

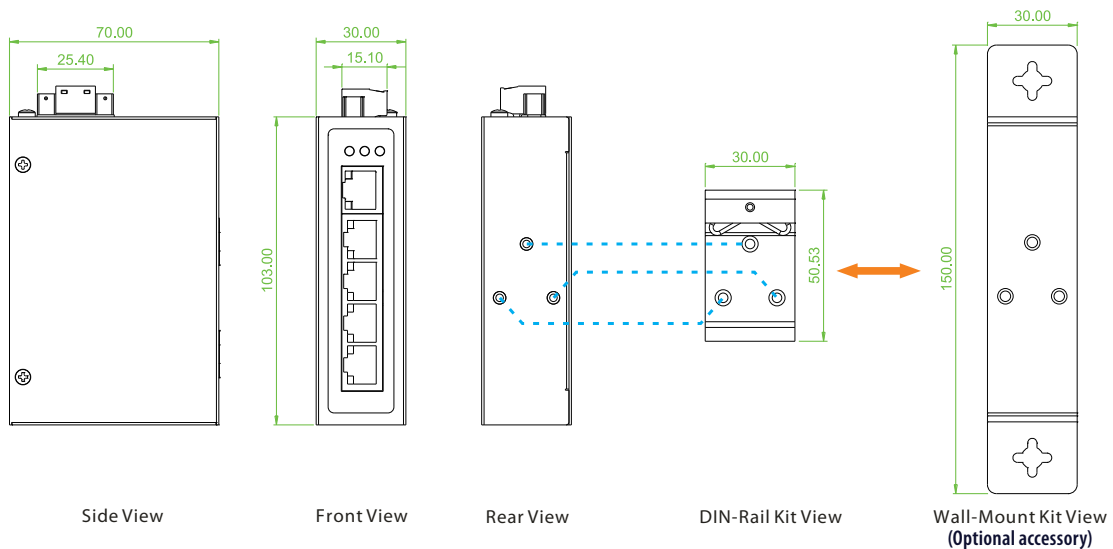
<b>Storage Temperature</b>	-40 ~ 85°C
<b>Housing</b>	Rugged Metal, IP30 Protection and Fanless
<b>Dimensions</b>	70 x 30 x 103 mm (D x W x H)
<b>Weight</b>	220g
<b>Installation Mounting</b>	DIN Rail mounting, or wall mounting (optional)
<b>MTBF</b>	1,738,327 Hours (MIL-HDBK-217)
<b>Warranty</b>	5 years
<b>Certification</b>	
<b>EMC/EMS</b>	CE
<b>EMI (Electromagnetic Interference)</b>	FCC Part 15 Subpart B Class A, CE
<b>Railway Traffic</b>	EN50121-4
<b>Immunity for Heavy Industrial Environment</b>	EN61000-6-2
<b>Emission for Heavy Industrial Environment</b>	EN61000-6-4
<b>EMS (Electromagnetic Susceptibility) Protection Level</b>	EN61000-4-2 (ESD) Level 3, Criteria B EN61000-4-3 (RS) Level 3, Criteria A EN61000-4-4 (Burst) Level 3, Criteria A EN61000-4-5 (Surge) Level 3, Criteria B EN61000-4-6 (CS) Level 3, Criteria A EN61000-4-8 (PFMF, Magnetic Field) Field Strength: 300A/m, Criteria A
<b>Shock</b>	IEC 60068-2-27
<b>Freefall</b>	IEC 60068-2-32
<b>Vibration</b>	IEC 60068-2-6

## Application

Figure : IFS-500C Fast Ethernet Switch Transmission



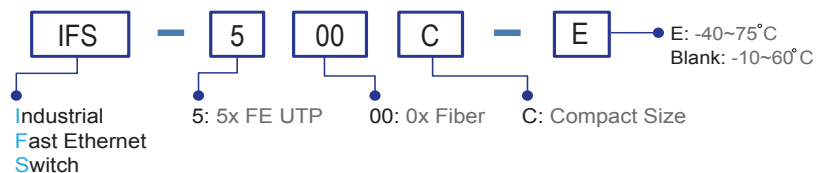
## Dimensions



## Ordering Information

Model Name	Total Port	RJ45 UTP port	Power input	Certification				Operating Temperature
		10/100Base-TX	Single power	Railway EN50121-4	EN61000-6-2 EN61000-6-4	CE	FCC	
IFS-500C	5	5	12/24/48VDC, 24VAC	V	V	V	V	-10~60°C
IFS-500C-E	5	5	12/24/48VDC, 24VAC	V	V	V	V	-40~75°C

### Model Naming Rule



### Package List

- IFS-500C device
- Din Rail with screws
- Quickly installation guide
- Terminal block

## Optional Accessories

### Wall mount kit Accessories

IND-WMK03	Wall Mount kit for Industrial product (Compact, 150 x 30mm)
-----------	---