



FL45-E100

Surge Protection Devices For 10/100Mbps Ethernet

- The transmission performance is superior, the insertion loss is small, the cat5 cable does not lose the packet within 100 meters, and there is no network drop phenomenon caused by ground fault, which can effectively eliminate various interferences caused by the common ground transmission signal
- The excellent lightning protection performance, built-in multi-level surge protection, large surge capacity, high-speed response (nanosecond level), low residual voltage level, chip-level protection for the protected equipment, small size, easy wiring, installation convenience
- The internal equipotential design of the lightning arrester can effectively prevent equipment damage caused by the instantaneous increase of the potential difference between the lines and the lines or between the lines and the ground

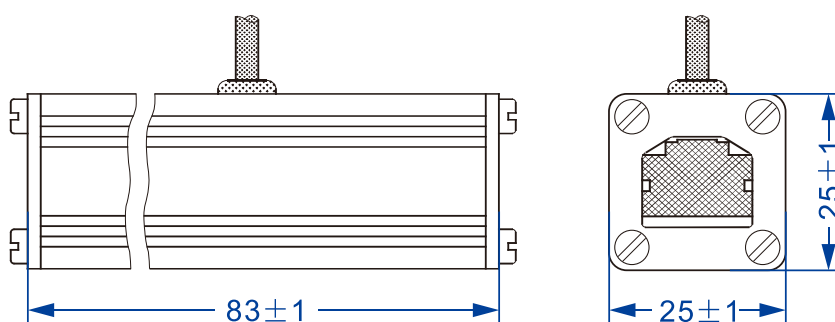


Introduction

FL45-E100 100Mbps ethernet surge protection devices is designed according to IEC61643-21 and GB/T 18802.21 standards. It adopts multi-level protection circuit and TDK-EPCOS and PROTEK high-speed surge protective parts. It has fast response speed, low output residual voltage and low capacitance design, transmission performance is superior. The product adopts standard RJ45 connector, which is suitable for lightning protection of 10/100Mbps ethernet equipment such as Switch, HUB and Router. It effectively suppresses high voltage and high current pulses induced in the line and protects the back-end equipment from lightning and industrial surge. This product is made of aluminum alloy shielded metal casing, has good sealing performance, and has dustproof and anti-corrosion function. It is connected in series and installed between the protected equipment and the outer line.

Dimension

Unit:mm



Specification

Nominal operating voltage / U_n	3V
Maximum continuous operating voltage / U_c	5V
Nominal discharge current / $I_n(8/20\mu s)$	350A(Line-line), 1500A(4 Lines-ground)
Maximum discharge current / $I_{max}(8/20\mu s)$	500A(Line-line), 3000A(4 Lines-ground)
Voltage protection level / $U_p(1.2/50\mu s)$	<30V(Line-line), <600V(Line-ground)
Communication Impulse withstand voltage	1000V(Line-line), 6000V(Line-ground)

(10/700us)

Insertion loss (100MHz)	≤0.5dB
Number of protection lines	1/2/3/6
Transmission rate	10/100Mbps
Interface type	RJ45 -F (With shielding)
Degree of protection	IP20
Response time	≤10ns
Working temperature	-20°C~+60°C
Dimensions	83*25*25 (±1) mm
Net Weight / Gross weight	70/ 88 (±5) g
Certification	CE, FCC, RoHS
Warranty	1 year



Ordering Information

Available Models	100M Copper Port (Input)	100M Copper Port (Output)	Power Supply
FL45-E100	1	1	No



Address: 3/B, Zone 1, Baiwangxin High Technology Industrial Park, Song Bai Road, Nanshan District, Shenzhen, 518108, China

TEL.: +86-755-26702668 ext 835 FAX: +86-755-26703485

E-mail: ics@3onedata.com

Website: www.3onedata.com

◀ [Please scan our QR code for more details](#)

*Product pictures and technical data in this datasheet are only for reference. Updates are subject to change without prior notice. The final interpretation right is reserved by 3onedata.